



# LigoPTP 900-13 R2

## Quick Installation Guide

Revision 1.2  
June 11, 2009

# Copyright

© 2008 LigoWave

This user's guide and the software described in it are copyrighted with all rights reserved. No part of this publication may be reproduced, transmitted, transcribed, stored in a retrieval system, or translated into any language in any form by any means without the written permission of LigoWave.

# Notice

LigoWave reserves the right to change specifications without prior notice.

While the information in this manual has been compiled with great care, it may not be deemed an assurance of product characteristics. LigoWave shall be liable only to the degree specified in the terms of sale and delivery.

The reproduction and distribution of the documentation and software supplied with this product and the use of its contents is subject to written authorization from LigoWave.

# Trademarks

LigoWave logo is trademark of LigoWave LLC.

All other registered and unregistered trademarks in this document are the sole property of their respective owners.

## FCC Warning

This equipment has been tested and found to comply with the limits for a Class B digital device, pursuant to Part 15 of the FCC Rules. These limits are designed to provide reasonable protection against harmful interference in a residential installation.

This equipment generates, uses, and can radiate radio frequency energy and, if not installed and used in accordance with the instructions, may cause harmful interference to radio communications. However, there is no guarantee that interference will not occur in a particular installation. If this equipment does cause harmful interference to radio or television reception, which can be determined by turning the equipment off and on, the user is encouraged to try to correct the interference by one of the following measures:

- Reorient or relocate the receiving antenna.
- Increase the separation between the equipment and receiver.
- Connect the equipment into an outlet on a circuit different from that to which the receiver is connected.
- Consult the dealer or an experienced radio/TV technician for help.

This device complies with Part 15 of the FCC Rules. Operation is subject to the following two conditions: (1) This device may not cause harmful interference, and (2) this device must accept any interference received, including interference that may cause undesired operation.

## FCC Caution

To assure continued compliance, any changes or modifications not expressly approved by the party responsible for compliance could void the user's authority to operate this equipment.

## FCC Radiation Exposure Statement

To comply with FCC RF exposure requirements in section 1.1307, a minimum separation distance of 3.9 feet is required between the antenna and all occupational persons, and a minimum separation distance of 8.7 feet is required between the antenna and all public persons.

## Antenna Installation

**WARNING:** It is installer's responsibility to ensure that when using the authorized antennas in the United States (or where FCC rules apply), only those antennas certified with the product are used. The use of any antenna other than those certified with the product is expressly forbidden in accordance to FCC rules CFR47 part 15.204. The installer should configure the output power level of antennas, according to country regulations and per antenna type. Professional installation is required of equipment with connectors to ensure compliance with health and safety issues.

## Antenna Compliance

Total EIRP for the LigoPTP 900-13 R2 + antenna must not exceed 36dBm. If the sum of LigoPTP 900-13 R2 output power and antenna gain exceeds 36dBm LigoPTP 900-13 R2 output power must be reduced in software.

The LigoPTP 900-13 R2 radio has an integrated 13dBi antenna and cannot be used with other antennas.

## CE Mark Warning

This is a Class A product. In a domestic environment this product may cause radio interference in which case the user may be required to take adequate measures.

## R&TTE Compliance Statement

This equipment complies with all the requirements of the Directive 1999/5/EC of the European Parliament and the Council of 9 March 1999 on Radio Equipment and Telecommunication Terminal Equipment and the Mutual Recognition of their Conformity (R&TTE).

The R&TTE Directive repeals and replaces in the directive 98/13/EEC (Telecommunications Terminal Equipment and Satellite Earth Station Equipment) As of April 8, 2000.

## Safety

This equipment is designed with the utmost care for the safety of those who install and use it. However, special attention must be paid to the dangers of electric shock and static electricity when working with electrical equipment. All guidelines of this manual and of the computer manufacturer must therefore be followed at all times to ensure the safe use of the equipment.

## EU Countries Intended for Use

The ETSI version of this device is intended for home and office use in Austria, Belgium, Denmark, Finland, France (with Frequency channel restrictions), Germany, Greece, Ireland, Italy, Luxembourg, The Netherlands, Portugal, Spain, Sweden and United Kingdom.

The ETSI version of this device is also authorized for use in EFTA member states Iceland, Liechtenstein, Norway and Switzerland.

## EU Countries Not Intended for Use

# Contents

Copyright .....	2
Notice .....	2
Trademarks .....	2
FCC Warning.....	3
FCC Caution .....	3
FCC Radiation Exposure Statement .....	3
Antenna Installation .....	3
Antenna Compliance .....	3
CE Mark Warning .....	4
R&TTE Compliance Statement .....	4
Safety .....	4
EU Countries Intended for Use.....	4
EU Countries Not Intended for Use .....	4
<b>CONTENTS.....</b>	<b>5</b>
<b>ABOUT THIS GUIDE.....</b>	<b>6</b>
Purpose .....	6
Definitions, Acronyms and Abbreviations.....	6
LigoWave Technical Support .....	6
Contact Us.....	6
<b>INSTALLATION.....</b>	<b>7</b>
Package Contents .....	7
Hardware Introduction.....	7
General Overview .....	7
Connectors.....	8
Mounting the LigoPTP 900-13 R2.....	9
<b>ACCESS THE LIGOPTP 900-13 R2 .....</b>	<b>10</b>
Connection via WEB browser .....	10
Resetting to Factory Defaults.....	11

## About This Guide

### Purpose

The purpose of this guide is to provide a quick and easy explanation of getting started with the LigoPTP 900-13 R2. This is only a starter guide and full documentation may be found at our online wiki:

<http://www.ligowave.com/wiki>

### Definitions, Acronyms and Abbreviations

The following typographic conventions and symbols are used throughout this document:



Additional information that may be helpful but which is not required.



Important information that should be observed.

### LigoWave Technical Support

If you encounter problems when installing or using this product, please consult the LigoWave website at [www.ligowave.com](http://www.ligowave.com) for:

- Direct contact to the LigoWave support centers.
- Frequently Asked Questions (FAQ).
- Download area for the latest software, user documentation and product updates.

### Contact Us

**EU office:**

UAB WILIBOX

Veiveriu 150 - IIIa.

Kaunas, LT-46391

Lithuania

Phone +370 37 759007

Fax +370 37 759006

(UTC +2)

**US office:**

LigoWave

1440 Dutch Valley Place

Suite 1155

Atlanta, GA 30324

United States of America

Phone +1 877 544 6928 (1 877 LIGOWAVE)

+1 678 490 0108

(UTC -5)

# Installation

This chapter provides installation instructions for the hardware and software components of the LigoPTP 900-13 R2. It also includes the procedures for the following tasks:

- Hardware Introduction (LEDs, Connectors)
- Mounting LigoPTP 900-13 R2
- Connecting the device

## Package Contents

The LigoPTP 900-13 R2 comes with the following:

Component Name	Quantity
Articulating Mounting Bracket Hardware	1
CAT5 Connector Cap	1
Integrated Power Supply & Injector	1



If any of these items are missing or damaged, please contact your reseller or LigoWave sales representative.

## Hardware Introduction

### General Overview

The LigoPTP 900-13 R2 is housed in an aluminum enclosure and features an integrated 13dBi panel antenna.

The bottom panel of the LigoPTP 900-13 R2 contains:

- **A window** to allow viewing of a series of indicator lights (**LEDs**) that help describe the state of various networking and connection operations.
- **Data/Power connection** in the form of passive PoE through standard Ethernet cable

The label of the LigoPTP 900-13 R2 contains:

- **Model name.** The official model name is **LigoPTP 900-13 R2**.
- **FCC ID.** The FCC ID is V2V-WMR900

## Connectors

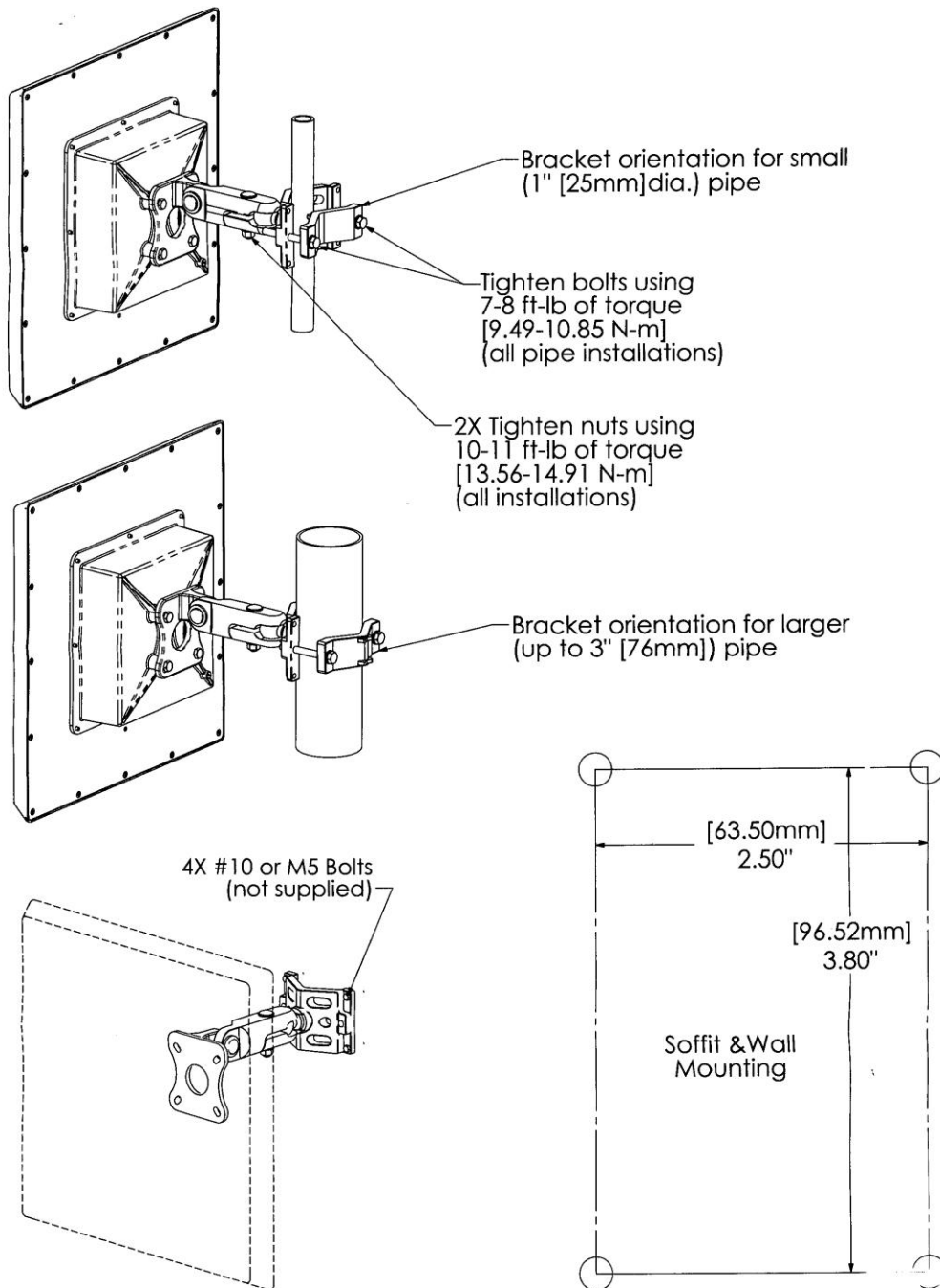
The LigoPTP 900-13 R2 has several connectors on the bottom and side panels.

Descriptions of the connectors are given in the following table:

<b>Connector</b>	<b>Description</b>
PoE	For insertion of power and data through Ethernet cable using passive PoE



# Mounting the LigoPTP 900-13 R2



## Access the LigoPTP 900-13 R2

The first connection to the LigoPTP 900-13 R2 can be made using a standard Ethernet cable connected directly to your PC. See next sections for the instructions on how to access the LigoPTP 900-13 R2 management interfaces.

### Connection via WEB browser

The default IP address of the LigoPTP 900-13 R2 is 192.168.2.66 with a subnet mask of 255.255.255.0.

- Step 1** Configure your PC with a static IP address on the 192.168.2.0 subnet with mask 255.255.255.0. Connect the LigoPTP 900-13 R2 Ethernet interface in to the same physical network as your PC. Open the Web browser and type the default IP address of the LigoPTP 900-13 R2: <https://192.168.2.66/>



- Step 2** Enter the LigoPTP 900-13 R2 administrator login details to access the Web management:



The default administrator login settings for all LigoPTP 900-13 R2 are:

User Name: **admin**

Password: **admin01**

- Step 3** After successful administrator log on you will see the main page of the LigoPTP 900-13 R2 Web management interface. The LigoPTP 900-13 R2 now is ready for configuration. For further instructions on Web management refer to the respective document at the LigoWave wiki at <http://www.ligowave.com/wiki>

## Resetting to Factory Defaults

LigoWave products have the capability of being reset to defaults by pinging the device with a certain packet size when the radio is booting.

During the startup of the device, when the drivers of the ethernet interfaces are loaded, the discovery daemon is started. The daemon suspends startup process for 3 seconds and waits for ICMP *"echo request"* packet of length 369 bytes. If the packet received, the discoveryd resets the device to default configuration.

Steps to reset to default settings:

**Step 1.** Power off the device.

**Step 2.** Obtain the device MAC address.

**Step 3.** Connect a PC to the same physical subnet as the device.

**Step 4.** Execute 'arp -s' command to assign the IP address (IP address should be from the same subnet as PC) to the device MAC address:

```
arp -s <IP address to assign> <device MAC address>
```

**Step 5.** Start pinging the device:

**For linux users:**

```
ping <IP address> -s 369
```

**For Windows users:**

```
ping <IP address> -l 369 -t -w 0.2
```

**Step 6.** Power up device and wait about 30sec or more (depends from device hardware).