



LigoWave

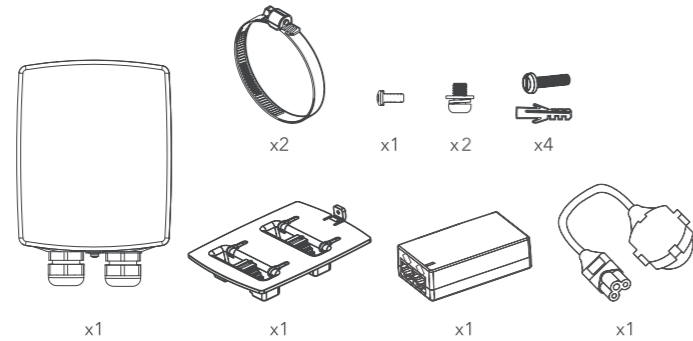
LigoVision 5-15ac
LigoVision 5ac
LigoVision 5-90ac

INSTALLATION

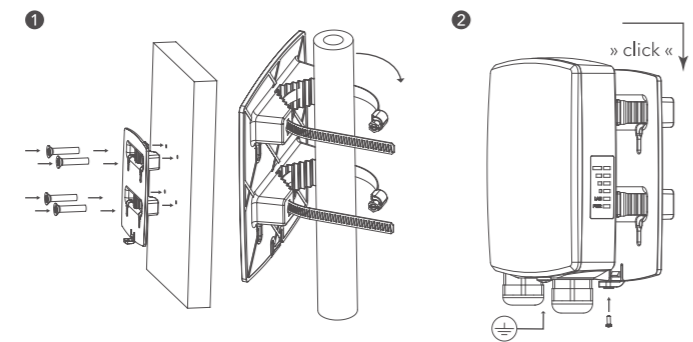


LigoVision 5-15ac

Package content

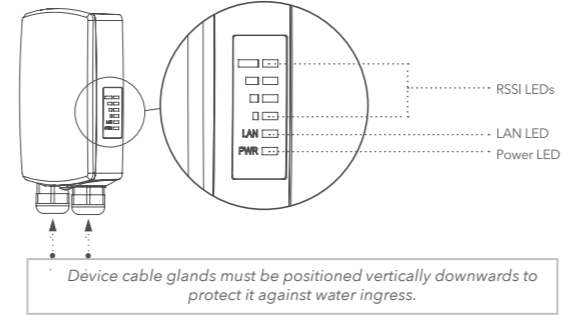


Mounting

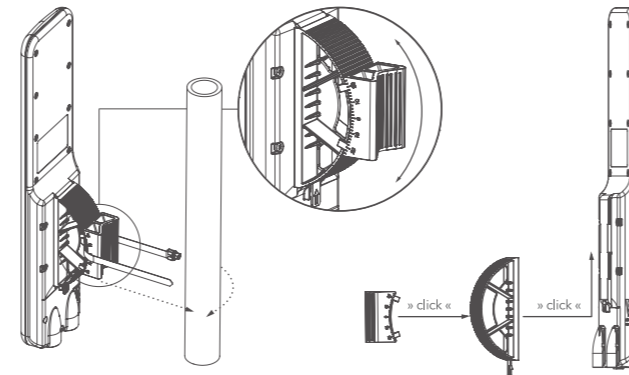


Overview

LigoVision 5-15ac

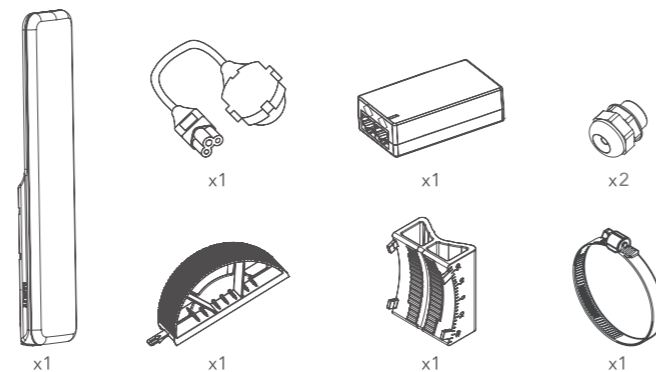


Mounting

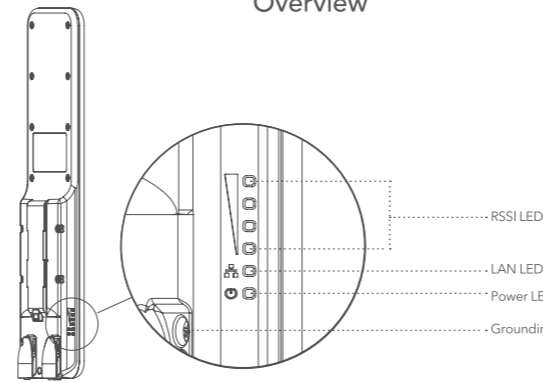


LigoVision 5-90ac

Package content

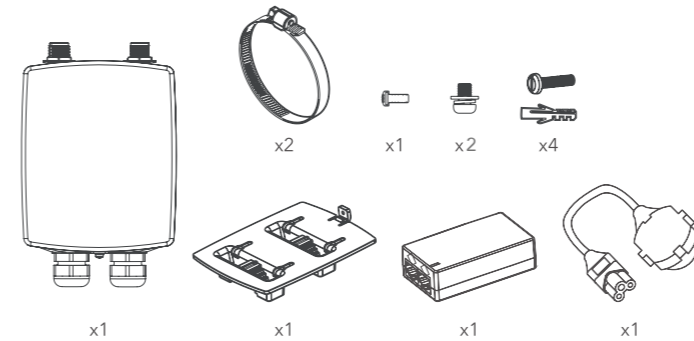


Overview

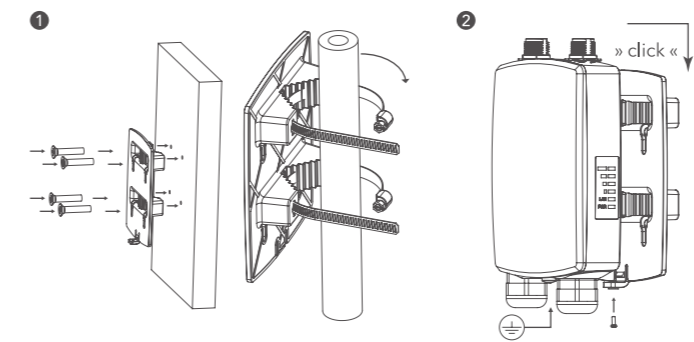


LigoVision 5ac

Package content

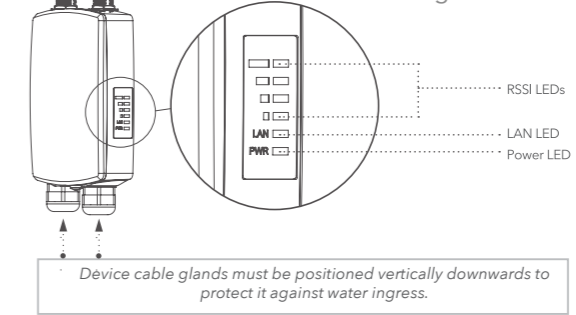


Mounting

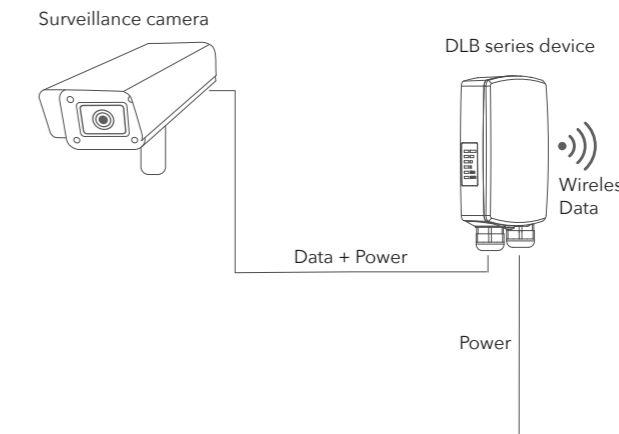


Overview

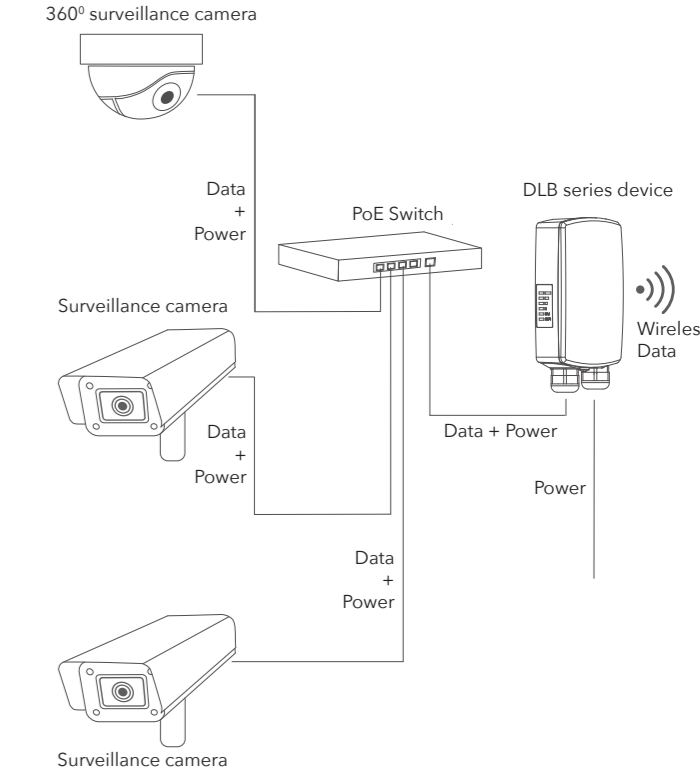
LigoVision 5ac



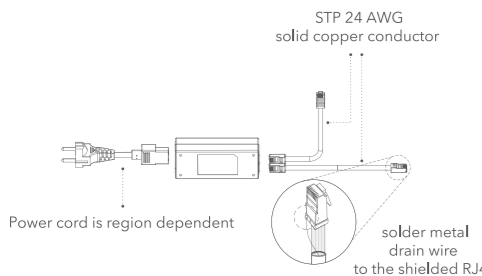
Wireless surveillance system scheme



Wireless surveillance system scheme with PoE switch



PoE Connection



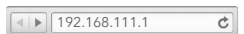
Power cord is region dependent

solder metal drain wire to the shielded RJ4

LigoVision remote wireless access

This is the easiest way to access the newly installed LigoVision device web management interface.

- Power off and power on again the LigoVision unit to switch it to a remote wireless management mode (it will be switched off automatically in 10 minutes of wireless inactivity).
- Scan for the wireless devices using your phone/tablet and choose the Vision wireless network name, which is LigoWave-mng-AABBCC (where AABBCC are the last three bytes of the MAC address).
- Launch the browser application and type the default LigoVision IP address 192.168.111.1 in the address field.
- The login screen appears, after that the LigoVision is ready for configuration.



Default login settings

IP address: DHCP client (fallback IP 192.168.2.66)	Login: Login: admin Pass: admin01
---	--

FCC information

Français [French]
Note: Cet appareil est conforme à la Partie 15 des règlements de la FCC et aux normes RSS de l'Industrie du Canada. Son fonctionnement est soumis aux deux conditions suivantes: (1) cet appareil ne doit pas causer des interférences nuisibles, et (2) cet appareil doit accepter toute interférence reçue, y compris les interférences qui peuvent provoquer un fonctionnement indésirable.
Le fabricant n'est pas responsable des toutes interférences radio ou télévision causées par des modifications non autorisées apportées à cet appareil. De telles modifications peuvent empêcher l'utilisateur d'utiliser l'appareil.

English
This device complies with Part 15 of the FCC rules and Industry Canada license-exempt RSS standard(s). Operation is subject to the following two conditions: (1) this device may not cause harmful interference, and (2) this device must accept any interference received, including interference that may cause undesired operation.
The manufacturer is not responsible for any radio or TV interference caused by unauthorized modifications or change to this equipment. Such modifications or change could void the user's authority to operate the equipment.
This radio transmitter (identify the device by certification number or model number if Category II) has been approved by Industry Canada to operate with the antenna types listed below with the maximum permissible gain indicated. Antenna types not included in this list, having a gain greater than the maximum gain indicated for that type, are strictly prohibited for use with this device.

Français [French]
Le présent émetteur radio (identifier le dispositif par son numéro de certification ou son numéro de modèle s'il fait partie du matériel de catégorie II) a été approuvé par Industrie Canada pour fonctionner avec les types d'antenne énumérés ci-dessous et ayant un gain admissible maximal. Les types d'antenne non inclus dans cette liste, et dont le gain est supérieur au gain maximal indiqué, sont strictement interdits pour l'exploitation de l'émetteur.

Model name	LigoVision 5-15ac	LigoVision 5ac	LigoVision 5-90ac
Frequencies	5.150 - 5.850 GHz	5.150 - 5.850 GHz	5.150 - 5.850 GHz
Tx power	Up to 29 dBm (country dependent)		
EIRP Info	44 dBm	connected antenna gain dependent	47 dBm
Antenna gain	15 dBm	None	18 dBm
Power supply	48 VDC passive PoE		
Power consumption	10 W (Without PoE Output Function)		

English
This equipment has been tested and found to comply with the limits for a Class B digital device, pursuant to part 15 of the FCC Rules. These limits are designed to provide reasonable protection against harmful interference in a residential installation. This equipment generates, uses and can radiate radio frequency energy and, if not installed and used in accordance with the instructions, may cause harmful interference to radio communications. However, there is no guarantee that interference will not occur in a particular installation. If this equipment does cause harmful interference to radio or television reception, which can be determined by turning the equipment off and on, the user is encouraged to try to correct the interference by one or more of the following measures:

- Reorient or relocate the receiving antenna.
- Increase the separation between the equipment and receiver.
- Connect the equipment into an outlet on a circuit different from that to which the receiver is connected.
- Consult the dealer or an experienced radio/TV technician for help.

To maintain compliance with FCC's RF exposure guidelines, this equipment should be installed and operated with a minimum distance of 20cm between the radiator and your body.
FCC radiation exposure statement
To comply with FCC RF exposure requirements in section 1.1307, a minimum separation distance of 3.9 feet is required between the antenna and all occupational persons, and a minimum separation distance of 16.4 feet is required between the antenna and all public persons.

Antenna installation
WARNING:
It is installer's responsibility to ensure that when using the authorized an-tennas in the United States (or where FCC rules apply), only those antennas certified with the product are used. The use of any antenna other than those certified with the product is expressly forbidden in accordance to FCC rules CFR47 part 15.204. The installer should configure the output power level of antennas, according to country regulations and per antenna type. Professional installation is required of equipment with connectors to ensure compliance with health and safety issues.

Declaration of Conformity

Български [Bulgaria]
С настоящото LigoWave декларира, че този тип радиосъоръжение Ligo Vision 5-15ac, Ligo Vision 5ac, Ligo Vision 5-90ac е в съответствие с Директива 2014/53/ЕС. Цялостният текст на ЕС декларацията за съответствие може да се намери на следния интернет адрес: <https://www.ligowave.com/downloads>

Česky [Czech]
Tímto LigoWave prohlašuje, že typ rádiového zařízení Ligo Vision 5-15ac, Ligo Vision 5ac, Ligo Vision 5-90ac je v souladu se směrnici 2014/53/EU. Úplné znění EU prohlášení o shodě je k dispozici na této internetové adrese: <https://www.ligowave.com/downloads>

Hrvatski [Croatia]
LigoWave ovime izjavljuje da je radijska oprema tipa Ligo Vision 5-15ac, Ligo Vision 5ac, Ligo Vision 5-90ac u skladu s Direktivom 2014/53/EU. Cjeloviti tekst EU izjave o sukladnosti dostupan je na sljedećoj internetskoj adresi: <https://www.ligowave.com/downloads>

Dansk [Danish]
Hermed erklærer LigoWave, at radioudstyrstypen Ligo Vision 5-15ac, Ligo Vision 5ac, Ligo Vision 5-90ac er i overensstemmelse med direktiv 2014/53/EU. EU-overensstemmelseserklæringens fulde tekst kan findes på følgende internetadresse: <https://www.ligowave.com/downloads>

Nederlands [Dutch]
Hierbij verklaar ik, LigoWave, dat het type radioapparatuur Ligo Vision 5-15ac, Ligo Vision 5ac, Ligo Vision 5-90ac conform is met Richtlijn 2014/53/EU. De volledige tekst van de EU-conformiteitsverklaring kan worden geraadpleegd op het volgende internetadres: <https://www.ligowave.com/downloads>

English
Hereby, LigoWave declares that the radio equipment type Ligo Vision 5-15ac, Ligo Vision 5ac, Ligo Vision 5-90ac is in compliance with Directive 2014/53/EU. The full text of the EU declaration of conformity is available at the following internet address: <https://www.ligowave.com/downloads>

Eesti [Estonian]
Käesolevaga deklareerib LigoWave, et käesolev raadioseadme tüüp Ligo Vision 5-15ac, Ligo Vision 5ac, Ligo Vision 5-90ac vastab direktiivi 2014/53/EÜ nõuetele. ELi vastavusdeklaratsiooni täielik tekst on kätesaadav järgmisel internetiaadressil: <https://www.ligowave.com/downloads>

Suomi [Finnish]
LigoWave vakuuttaa, että radiolaitetyyppi Ligo Vision 5-15ac, Ligo Vision 5ac, Ligo Vision 5-90ac on direktiivin 2014/53/EU mukainen. EU-vaatimustenmukaisuusvakuutuksen täysimittainen teksti on saatavilla seuraavassa internetosoitteessa: <https://www.ligowave.com/downloads>

Français [French]
Le soussigné, LigoWave, déclare que l'équipement radioélectrique du type Ligo Vision 5-15ac, Ligo Vision 5ac, Ligo Vision 5-90ac est conforme à la directive 2014/53/UE. Le texte complet de la déclaration UE de conformité est disponible à l'adresse internet suivante: <https://www.ligowave.com/downloads>

Deutsch [German]
Hiermit erkläre LigoWave, dass der Funkanlagentyp Ligo Vision 5-15ac, Ligo Vision 5ac, Ligo Vision 5-90ac der Richtlinie 2014/53/EU entspricht. Der vollständige Text der EU-Konformitätserklärung ist unter der folgenden Internetadresse verfügbar: <https://www.ligowave.com/downloads>

Ελληνική [Greek]
Με την παρούσα ο/η LigoWave, δηλώνει ότι ο ραδιοεξοπλισμός Ligo Vision 5-15ac, Ligo Vision 5ac, Ligo Vision 5-90ac πληροί την οδηγία 2014/53/ΕΕ. Το πλήρες κείμενο της δήλωσης συμμόρφωσης ΕΕ διατίθεται στην ακόλουθη ιστοσελίδα στο διαδίκτυο: <https://www.ligowave.com/downloads>

Magyar [Hungarian]
LigoWave igazolja, hogy a Ligo Vision 5-15ac, Ligo Vision 5ac, Ligo Vision 5-90ac típusú rádióberendezés megfelel a 2014/53/EU irányelvnek. Az EU-megfelelőségi nyilatkozat teljes szövege elérhető a következő internetes címen: <https://www.ligowave.com/downloads>

Íslenska [Icelandic]
Hér með lýsir LigoWave yfir því að þetta Ligo Vision 5-15ac, Ligo Vision 5ac, Ligo Vision 5-90ac tæki er í samræmi við grunnkröfur og aðrar kröfur, sem gerðar eru í tilskipun 2014/53/EU. Fullur texti ESB samræmisyfirlýsing er að finna á eftirfarandi netfangi: <https://www.ligowave.com/downloads>

Italiano [Italian]
Il fabbricante, LigoWave, dichiara che il tipo di apparecchiatura radio Ligo Vision 5-15ac, Ligo Vision 5ac, Ligo Vision 5-90ac è conforme alla direttiva 2014/53/UE. Il testo completo della dichiarazione di conformità UE è disponibile al seguente indirizzo Internet: <https://www.ligowave.com/downloads>

Latviski [Latvian]
Ar šo LigoWave deklarē, ka radioiekārta Ligo Vision 5-15ac, Ligo Vision 5ac, Ligo Vision 5-90ac atbilst Direktīvai 2014/53/ES. Pilns ES atbilstības deklarācijas teksts ir pieejams šādā interneta vietnē: <https://www.ligowave.com/downloads>

Lietuvių [Lithuanian]
LigoWave patvirtina, kad radijo įrenginiai Ligo Vision 5-15ac, Ligo Vision 5ac, Ligo Vision 5-90ac atitinka Direktyvą 2014/53/ES. Visas ES atitikties deklaracijos tekstas prieinamas šiuo interneto adresu: <https://www.ligowave.com/downloads>

Malti [Maltese]
B'dan, LigoWave, niddikjara li dan it-tip ta' taghmir tar-radju LigoVision 5-15ac, Ligo Vision 5ac, Ligo Vision 5-90ac huwa konformi mad-Direttiva 2014/53/UE. It-test kollu tad-dikjarazzjoni ta' konformita tal-UE huwa disponibbli f'dan l-indirizz tal-Internet li ġej: <https://www.ligowave.com/downloads>

Norsk [Norwegian]
LigoWave erklærer herved at utstyret denne Ligo Vision 5-15ac, Ligo Vision 5ac, Ligo Vision 5-90ac enheten er i samsvar med de grunnleggende krav og øvrige relevante krav i direktiv 2014/53/UE. Den fulle teksten til EU-samsvarserklæringen er tilgjengelig på følgende internetadresse: <https://www.ligowave.com/downloads>

Slovensky [Slovak]
LigoWave týmto vyhlasuje, že rádiové zariadenie typu LigoVision 5-15ac, Ligo Vision 5ac, Ligo Vision 5-90ac je v súlade so smernicou 2014/53/EÚ. Úplné EÚ vyhlásenie o zhode je k dispozícii na tejto internetovej adrese: <https://www.ligowave.com/downloads>

Slovenski [Slovenia]
LigoWave potrjuje, da je tip radijske opreme Ligo Vision 5-15ac, Ligo Vision 5ac, Ligo Vision 5ac skladen z Direktivo 2014/53/UE. Celotno besedilo izjave EU o skladnosti je na voljo na naslednjem spletnem naslovu: <https://www.ligowave.com/downloads>

Svenska [Swedish]
Härmed försäkrar LigoWave att denna typ av radioutrustning Ligo Vision 5-15ac, Ligo Vision 5ac, Ligo Vision 5-90ac överensstämmer med direktiv 2014/53/EU. Den fullständiga texten till EU-försäkran om överensstämmelse finns på följande webbadress: <https://www.ligowave.com/downloads>

Español [Spanish]
Por la presente, LigoWave declara que el tipo de equipo radioeléctrico Ligo Vision 5-15ac, Ligo Vision 5ac, Ligo Vision 5-90ac es conforme con la Directiva 2014/53/UE. El texto completo de la declaración UE de conformidad está disponible en la dirección Internet siguiente: <https://www.ligowave.com/downloads>

Português [Portuguese]
O(a) abaixo assinado(a) LigoWave declara que o presente tipo de equipamento de rádio Ligo Vision 5-15ac, Ligo Vision 5ac, Ligo Vision 5-90ac está em conformidade com a Diretiva 2014/53/UE. O texto integral da declaração de conformidade está disponível no seguinte endereço de Internet: <https://www.ligowave.com/downloads>

Român [Romanian]
Prin prezenta, LigoWave declară că tipul de echipamente radio LigoVision 5-15ac, LigoVision 5ac, Ligo Vision 5ac, Ligo Vision 5-90ac este în conformitate cu Directiva 2014/53/UE. Textul integral al declarației UE de conformitate este disponibil la următoarea adresă internet: <https://www.ligowave.com/downloads>

Polski [Polish]
LigoWave niniejszym oświadcza, że typ urządzenia radiowego Ligo Vision 5-15ac, Ligo Vision 5ac, Ligo Vision 5-90ac jest zgodny z dyrektywą 2014/53/UE. Pełny tekst deklaracji zgodności UE jest dostępny pod następującym adresem internetowym: <https://www.ligowave.com/downloads>



Important information

Copyright © 2024 LigoWave
This guide and the software described in it are copyrighted with all rights reserved. No part of this publication may be reproduced, transmitted, transcribed, stored in a retrieval system, or translated into any language in any form by any means without the written permission of LigoWave.

Notice
Product size and shape are subject to change without prior notice, and actual product appearance may differ from that depicted in the user guide.

While the information in this guide has been compiled with great care, it may not be deemed an assurance of product characteristics. LigoWave shall be liable only to the degree specified in the terms of sale and delivery. The reproduction and distribution of the documentation and software supplied with this product and the use of its contents is subject to written authorization from LigoWave.

Trademarks
LigoWave logo is trademark of LigoWave. All other registered and unregistered trademarks in this document are the sole property of their respective owners.



Contact information

Technical support
If you encounter problems when installing or using this product, please consult the LigoWave website at www.LigoWave.com for:
• Direct contact to the LigoWave support centers.
• Frequently Asked Questions (FAQ).
• Download area for the latest software, user documentation and product updates.

EU office: Kareiviu st. 11B Vilnius LT 09109, Lithuania support@ligowave.com	US office: LigoWave Corporation 1710 Cumberland Point Drive Suite 1 Marrieta, GA30067 United States of America For support: support@ligowave.com For sales enquiries: sales@ligowave.com	Manufacturer: LigoWave Inc. Limited, UnitD, 16/F, MG Tower, 133 Hoi Bun Road, Kwun Tong, Kowloon,
---	---	--