

## Declaration of conformity

### Czech (Czech)

Willbox tímto prohlašuje, že tento LigoWave LigoDLB 2.9, LigoDLB 5.15, je ve shodě se základními požadavky a dalšími příslušnými ustanoveními směrnice 1999/5/EC.

### Dansk (Danish)

Underrettede Willbox erklærer herved, at følgende udsyret LigoWave LigoDLB 2.9, LigoDLB 5.15, overholder de væsentlige krav og øvrige relevante krav i direktiv 1999/5/EC.

### Netherlands (Dutch)

Herbij verklaart Willbox dat het toestel LigoWave LigoDLB 2.9, LigoDLB 5.15, in overeenstemming is met de essentiële eisen en de andere relevante bepalingen van richtlijn 1999/5/EC.

Big deze verklaart LigoWave dat deze LigoWave LigoDLB 2.9, LigoDLB 5.15, voldoet aan de essentiële eisen en aan alle overige relevante bepalingen van Richtlijn 1999/5/EC.

### English

Herby, Willbox, declares that this LigoWave LigoDLB 2.9, LigoDLB 5.15, is in compliance with the essential requirements and other relevant provisions of Directive 1999/5/EC.

### Eesti (Estonian)

Willbox väitab, et LigoWave LigoDLB 2.9, LigoDLB 5.15, vastab direktiivi 1999/5/EÜ põhilistele nõuetele ja muudele sellest tulenevatele nõuetele asjakohastele sätetele.

### Suomi (Finnish)

Willbox vakuuttaa täten että LigoWave LigoDLB 2.9, LigoDLB 5.15, täyttää lainsäädännön mukaisesti direktiivin 1999/5/EY esittämien vaatimusten ja sitä koskevien direktiivin muiden ehtojen mukaisesti.

### Français (French)

Par la présente, Willbox déclare que l'appareil LigoWave LigoDLB 2.9, LigoDLB 5.15, est conforme aux exigences essentielles et aux autres dispositions pertinentes de la directive 1999/5/CE.

Par la présente, Willbox déclare que ce LigoWave LigoDLB 2.9, LigoDLB 5.15, est conforme aux exigences essentielles et aux autres dispositions de la directive 1999/5/CE qui lui sont applicables.

### Deutsch (German)

Hiermit erklärt Willbox, dass sich dieses LigoWave LigoDLB 2.9, LigoDLB 5.15, in Übereinstimmung mit den grundlegenden Anforderungen und den anderen relevanten Vorschriften der Richtlinie 1999/5/EG befindet. (BMAW)

Hiermit erklärt Willbox die Übereinstimmung des Gerätes LigoWave LigoDLB 2.9, LigoDLB 5.15, mit den grundlegenden Anforderungen und den anderen relevanten Festlegungen der Richtlinie 1999/5/EG. (Wien)

### Ελληνικά (Greek)

ΜΕ ΤΗΝ ΠΑΡΟΥΣΑ ΠΡΟΚΑΛΩΝΤΑΣ ΤΟΝ ΛΟΓΟΤΥΠΟ LigoWave LigoDLB 2.9, LigoDLB 5.15, ΣΥΜΜΟΡΦΟΝΕΤΑΙ ΠΡΟΣ ΤΙΣ ΟΥΣΙΩΔΕΙΣ ΑΠΑΙΤΗΣΕΙΣ ΚΑΙ ΤΙΣ ΑΛΛΕΣ ΣΧΕΤΙΚΕΣ ΔΙΑΤΑΞΕΙΣ ΤΗΣ ΟΔΗΓΙΑΣ 1999/5/ΕΚ.

### Magyar (Hungarian)

Alulírott, Willbox nyilatkozik, hogy a LigoWave LigoDLB 2.9, LigoDLB 5.15, megfelel a vonatkozó alapvető követelményeknek és az 1999/5/EC irányelv egyéb előírásainak.

### Ispania (Icelandic)

Her með því Willbox yfir búi að LigoWave LigoDLB 2.9, LigoDLB 5.15, er í samræmi við grunntæfingur og aðrar kröfur, sem gerðar eru, til lögfrá 1999/5/EC.

### Italiano (Italian)

Con la presente, LigoWave dichiara che questo LigoWave LigoDLB 2.9, LigoDLB 5.15, è conforme ai requisiti essenziali ed alle altre disposizioni pertinenti stabilite dalla direttiva 1999/5/CE.

### Lietuvi (Lithuanian)

Willbox, kaip LigoWave, LigoDLB 2.9, LigoDLB 5.15, atitiktis Direktyvos 1999/5/EC būtąsiasias reikiąsias pabeliamas u citem at saistąsiasias reikiąsiasias.

### Lietuvi (Lithuanian)

Suo Willbox deklaruoja, kad šis LigoWave LigoDLB 2.9, LigoDLB 5.15, atitinka esminius reikalavimus ir kitas 1999/5/EB Direktivos nuostatas.

### Malta (Maltese)

Hawn hekk, Willbox, jidher li dan il LigoWave LigoDLB 2.9, LigoDLB 5.15, jikkonforma mal-hiġġiet essenzjali u ma provvedimenti oħrajn rilevanti li hemm fil-Direttiva 1999/5/CE.

### Norsk (Norwegian)

Willbox erklærer herved at udsyret LigoWave LigoDLB 2.9, LigoDLB 5.15, er i samsvar med de grunnleggende krav og øvrige relevante krav i direktiv 1999/5/EC.

### Slovensky (Slovak)

Willbox týmto vyhlasuje, že LigoWave LigoDLB 2.9, LigoDLB 5.15, spĺňa základné požiadavky a všetky príslušné ustanovenia Smernice 1999/5/EC.

### Svenska (Swedish)

Willbox förklarar härmed att denna LigoWave LigoDLB 2.9, LigoDLB 5.15, är i överensstämmelse med de väsentliga granskriftsprav och övriga relevanta bestämmelser som framgår av direktiv 1999/5/EC.

### Espanol (Spanish)

Por medio de la presente Willbox declara que el LigoWave LigoDLB 2.9, LigoDLB 5.15, cumple con los requisitos esenciales y cualesquiera otras disposiciones aplicables o exigibles de la Directiva 1999/5/CE.

### Polski (Polish)

Niniejszym, firma Willbox oświadczają, że produkt serii LigoWave LigoDLB 2.9, LigoDLB 5.15, spełnia zasadnicze wymagania i inne istotne postanowienia Dyrektywy 1999/5/EC.

### Portugal (Portuguese)

Willbox declara que este LigoWave LigoDLB 2.9, LigoDLB 5.15, está conforme com os requisitos essenciais e outras disposições da Directiva 1999/5/CE.

To get full CE declaration of conformity documents, refer at <http://www.ligowave.com/wiki/declarations-conformity/>

## Contact us

### Technical support

If you encounter problems when installing or using this product, please consult the LigoWave website at [www.ligowave.com](http://www.ligowave.com) for:

- Direct contact to the LigoWave support centers.
- Frequently Asked Questions (FAQ).
- Download area for the latest software, user documentation and product updates.

EU office:  
Saulateko ave. 15 – 610  
Vintuu, LT-10244,  
Lituania

US office:  
Ligowave  
138 Mountain Brook Drive  
Canton, GA 30115  
United States of America  
For support: [support@ligowave.com](mailto:support@ligowave.com)  
For sales enquiries: [sales@ligowave.com](mailto:sales@ligowave.com)

Default login settings: IP address: DHCP client  
(fallback: IP: 192.168.2.66)

Login / Pass: admin / admin01

## Important information

### Copyright

© 2017 LigoWave

This guide and the software described in it are copyrighted with all rights reserved. No part of this publication may be reproduced, transmitted, transcribed, stored in a retrieval system, or translated into any language in any form by any means without the written permission of LigoWave.

### Notice

Product size and shape are subject to change without prior notice, and actual product appearance may differ from that depicted in the user guide. While the information in this guide has been compiled with great care, it may not be deemed an assurance of product characteristics. LigoWave shall be liable only to the degree specified in the terms of sale and delivery. The reproduction and distribution of the documentation and software supplied with this product and the use of its contents is subject to written authorization from LigoWave.

### Trademarks

LigoWave logo is trademark of Ligo Wave.  
All other registered and unregistered trademarks in this document are the sole property of their respective owners.

### FCC warning

This equipment has been tested and found to comply with the limits for a Class B digital device, pursuant to Part 15 of the FCC Rules. These limits are designed to provide reasonable protection against harmful interference in a residential installation. This equipment generates, uses, and can radiate radio frequency energy and, if not installed and used in accordance with the instructions, may cause harmful interference to radio communications. However, there is no guarantee that interference will not occur in a particular installation. If this equipment does cause harmful interference to radio or television reception, which can be determined by turning the equipment off and on, the user is encouraged to try to correct the interference by one of the following measures:

- Reorient or relocate the receiving antenna.
  - Increase the separation between the equipment and receiver.
  - Connect the equipment into an outlet on a circuit different from that to which the receiver is connected.
  - Consult the dealer or an experienced radio/TV technician for help.
- This device complies with Part 15 of the FCC Rules. Operation is subject to the following two conditions: (1) This device may not cause harmful interference, and (2) this device must accept any interference received, including interference that may cause undesired operation.



## LigoDLB 2-9, LigoDLB 5-15 QUICK INSTALLATION GUIDE

The device with integrated antenna should be installed no closer than 50 cm from the human body.

### FCC caution

To assure continued compliance, any changes or modifications not expressly approved by the party responsible for compliance could void the user's authority to operate this equipment.

### FCC radiation exposure statement

To comply with FCC RF exposure requirements in section 1.1307, a minimum separation distance of 13.9 feet is required between the antenna and all occupational persons and a minimum separation distance of 16.4 feet is required between the antenna and all public persons.

### Antenna installation

WARNING: It is installer's responsibility to ensure that when using the authorized antennas in the United States (or where FCC rules apply), only those antennas certified with the product are used. The use of any antenna other than those certified with the product is expressly forbidden in accordance to FCC rules CFR47 part 15.204. The installer should configure the output power level of antennas, according to country regulations and per antenna type. Professional installation is required of equipment with connectors to ensure compliance with health and safety issues.

### CE mark warning

This is a Class A product. In a domestic environment this product may cause radio interference in which case the user may be required to take adequate measures. R&TTE compliance statement This equipment complies with all the requirements of the Directive 1999/5/EC of the European Parliament and the Council of 9 March 1999 on Radio Conformity and Telecommunication Terminal Equipment and the Mutual Recognition of their Conformity (R&TTE). The R&TTE Directive repeals and replaces in the directive 98/13/EEC (Telecommunications Terminal Equipment and Satellite Earth Station Equipment) As of April 8, 2000.

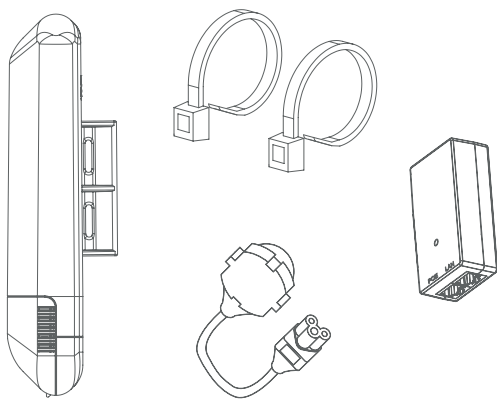
### Safety

This equipment is designed with the utmost care for the safety of those who install and use it. However, special attention must be paid to the dangers of electric shock and static electricity when working with electrical equipment. All guidelines of this manual and of the computer manufacturer must therefore be allowed at all times to ensure the safe use of the equipment.

### EU countries not intended for use

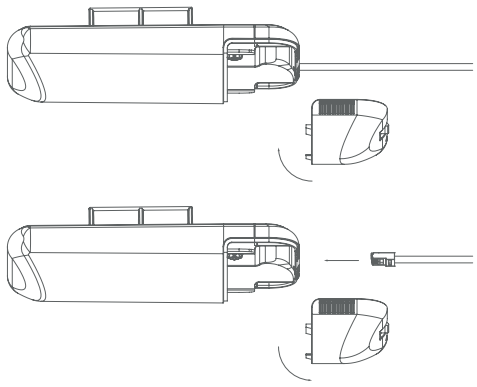
None.

Package contents

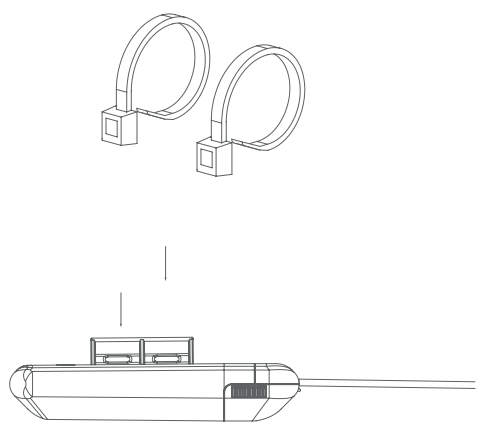


Installation

1



2



PoE connection

3

